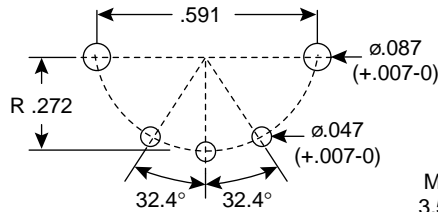
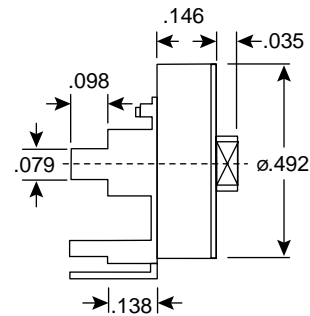
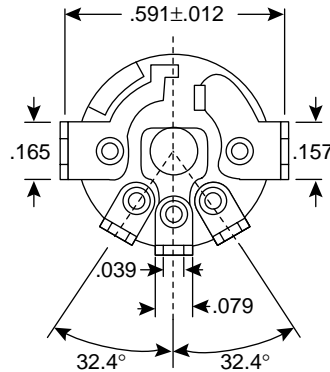
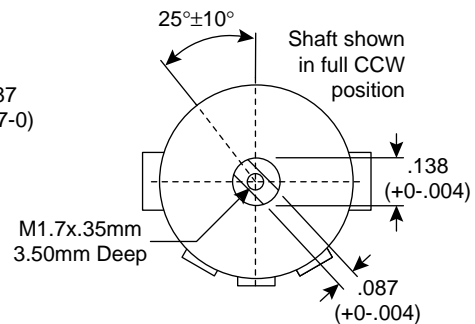


Dimensions (In.)
(except where noted)



Mounting Holes



Specifications:

- Type: PC mount, 12mm subminiature thumbwheel
- Resistance tolerance: $\pm 20\%$
- Rotation angle: $230^\circ \pm 2^\circ$
- Rotation torque: 20~200gf.cm
- Rotation life: 15,000 cycles
- Stop strength: > 2Kgf.cm/min.

| Mouser Stock Number | Description | Wattage (W) | Voltage (V) max. | Values (Ω) |
|---------------------|--------------|-------------|------------------|------------------------------|
| 311-1202-Value | Audio taper | .04 | 100 | 1K, 5K, 10K, 50K, 100K, 500K |
| 311-1206-Value | Linear taper | .08 | 150 | 1K, 5K, 10K, 50K, 100K, 500K |